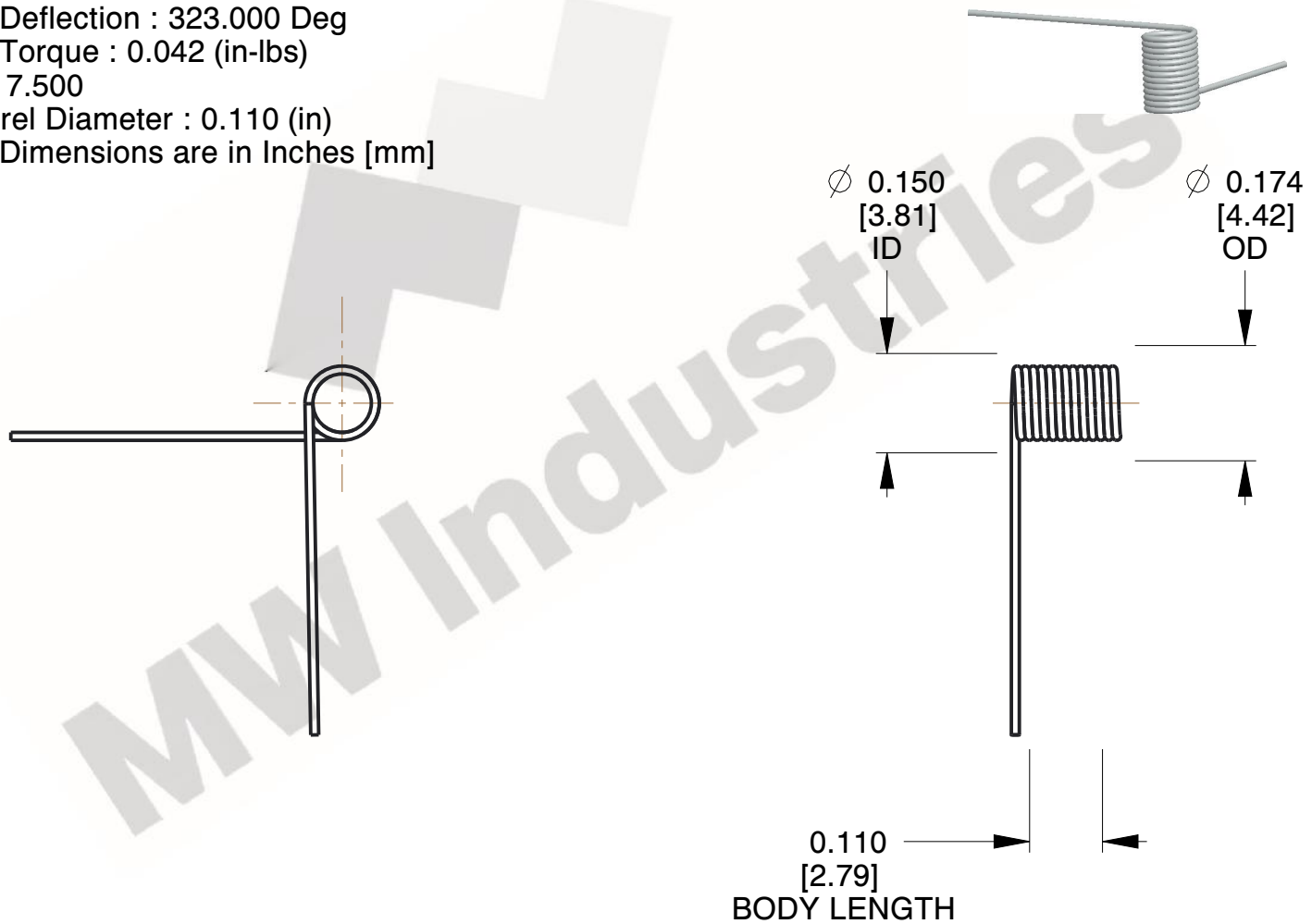


NOTES:

1. Material : Stainless Steel
2. Finish : Zinc - Z
3. Sugg. Max. Deflection : 323.000 Deg
4. Sugg. Max. Torque : 0.042 (in-lbs)
5. Total Coils : 7.500
6. Sugg. Mandrel Diameter : 0.110 (in)
7. All Drawing Dimensions are in Inches [mm]



COMPONENT		TORSION SPRINGS	
TO-5016RS		UNIT	
		INCH [mm]	
TORSION SPRINGS		SHEET	
		1 of 1	