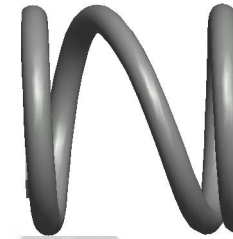
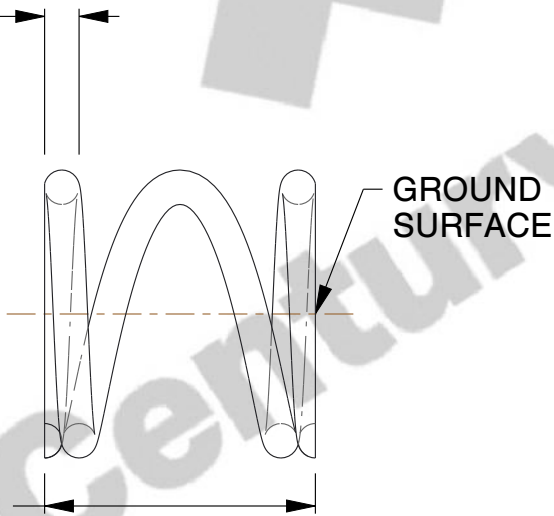


NOTES:

1. Material : Spring Steel
2. Finish : Zinc - Z
3. Ends : Closed and Ground
4. Total Coils : 3.000
5. Sugg. Max. Deflection : 0.070 (in)
6. Sugg. Max. Load : 13.000 (lbs)
7. All Drawing Dimensions are in Inches [mm]

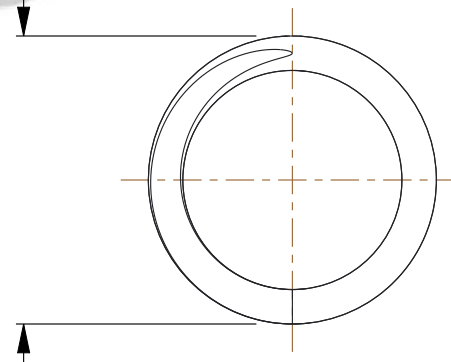


∅ 0.056
[1,42]
WIRE DIA



1.910
[48,51]
LENGTH

∅ 0.468
[11,89]
O.D



COMPONENT		SPRINGS	
I-99 COMPRESSION SPRINGS		UNIT	
		INCH [mm]	
		SHEET	
SCALE	3.205	1 of 1	