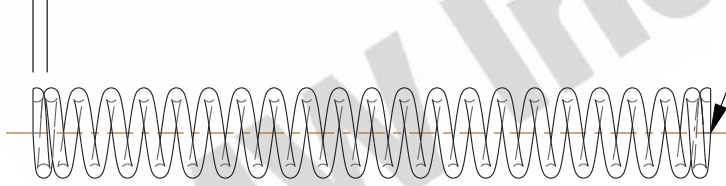


NOTES:

1. Material : Music Wire
2. Finish : Glod Irridite
3. Ends : Closed and Ground
4. Total Coils : 22.500
5. Sugg. Max. Deflection : 0.840 (in)
6. Sugg. Max. Load : 18.000 (lbs)
7. All Drawing Dimensions are in Inches [mm]

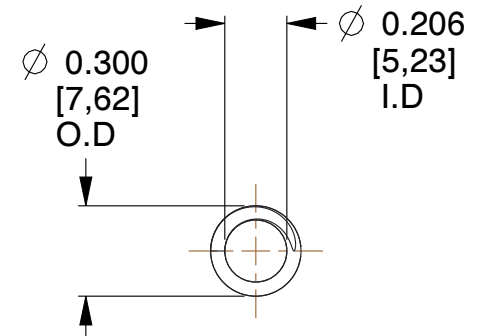


\varnothing 0.047
 [1,19]
 WIRE DIA



1.910
 [48,51]
 LENGTH

GROUND SURFACE



COMPONENT		SPRINGS	
70980 COMPRESSION SPRINGS		UNIT	INCH [mm]
		SHEET	1 of 1