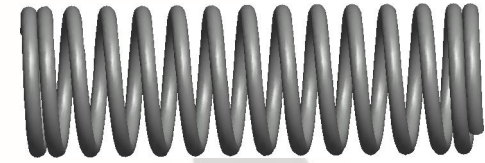
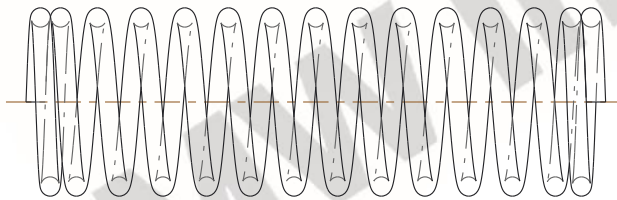


**NOTES:**

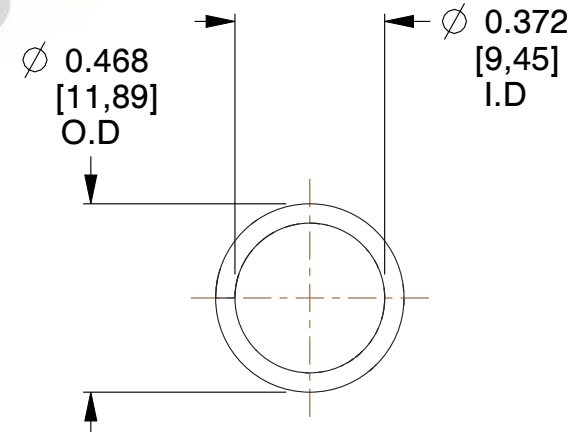
1. Material : Spring Steel
2. Finish : Glod Irridite
3. Ends : Closed
4. Total Coils : 14.500
5. Sugg. Max. Deflection : 0.690 (in)
6. Sugg. Max. Load : 5.700 (lbs)
7. All Drawing Dimensions are in Inches [mm]



∅ 0.048  
[1,22]  
WIRE DIA



1.910  
[48,51]  
LENGTH



∅ 0.468  
[11,89]  
O.D

∅ 0.372  
[9,45]  
I.D

COMPONENT		SPRINGS	
<b>12494</b>  COMPRESSION SPRINGS		UNIT	INCH [mm]
		SHEET	1 of 1