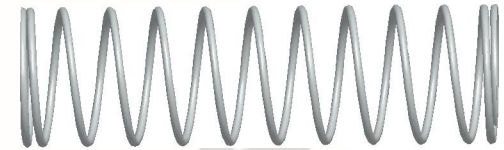
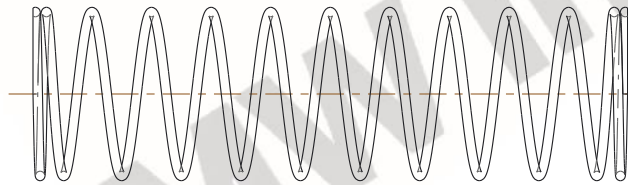


NOTES:

1. Material : Stainless Steel
2. Finish : Glod Irridite
3. Ends : Closed and Ground
4. Total Coils : 12.500
5. Sugg. Max. Deflection : 1.100 (in)
6. Sugg. Max. Load : 0.600 (lbs)
7. All Drawing Dimensions are in Inches [mm]



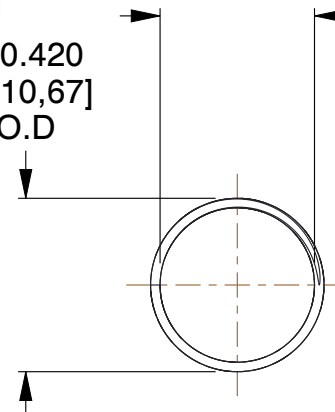
∅ 0.023
[0,58]
WIRE DIA



1.910
[48,51]
LENGTH

GROUND
SURFACE

∅ 0.420
[10,67]
O.D



∅ 0.374
[9,50]
I.D

COMPONENT		SPRINGS	
Q-61		UNIT	
		INCH [mm]	
		SHEET	
COMPRESSION SPRINGS		1 of 1	