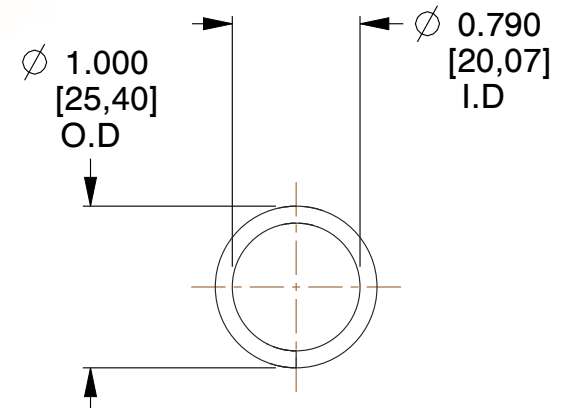
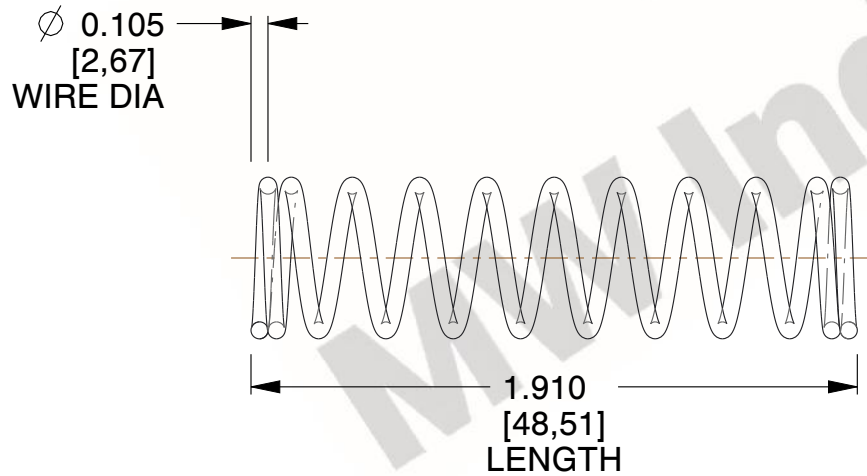


NOTES:

1. Material : Spring Steel
2. Finish : Zinc - Z
3. Ends : Closed
4. Total Coils : 11.000
5. Sugg. Max. Deflection : 1.400 (in)
6. Sugg. Max. Load : 38.000 (lbs)
7. All Drawing Dimensions are in Inches [mm]



COMPONENT		SPRINGS	
2968 COMPRESSION SPRINGS		UNIT	INCH [mm]
		SHEET	1 of 1