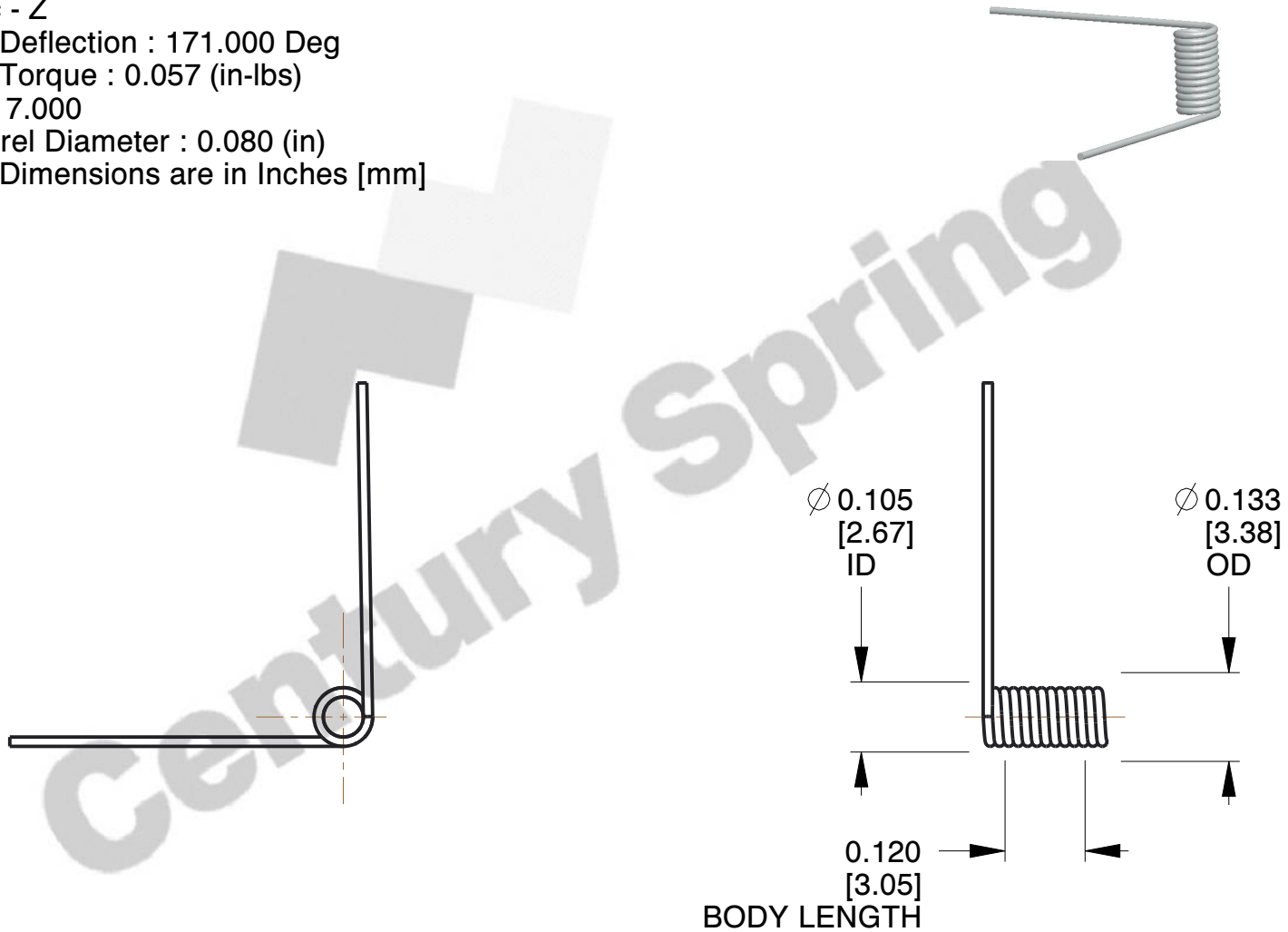


NOTES:

1. Material : Stainless Steel
2. Finish : Zinc - Z
3. Sugg. Max. Deflection : 171.000 Deg
4. Sugg. Max. Torque : 0.057 (in-lbs)
5. Total Coils : 7.000
6. Sugg. Mandrel Diameter : 0.080 (in)
7. All Drawing Dimensions are in Inches [mm]



| COMPONENT | | TORSION SPRINGS | |
|-----------------|--|-----------------|--|
| TO-1080 | | UNIT | |
| | | INCH [mm] | |
| TORSION SPRINGS | | SHEET | |
| | | 1 of 1 | |