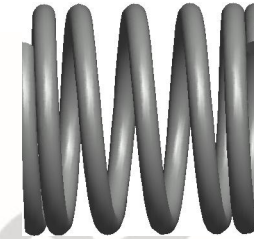
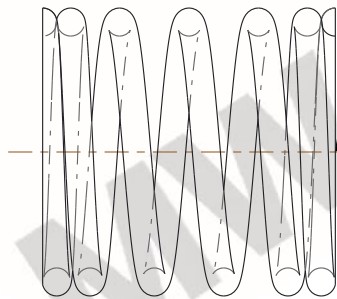


**NOTES:**

1. Material : Spring Steel
2. Finish : Zinc - Z
3. Ends : Closed and Ground
4. Total Coils : 6.000
5. Sugg. Max. Deflection : 0.420 (in)
6. Sugg. Max. Load : 18.000 (lbs)
7. All Drawing Dimensions are in Inches [mm]



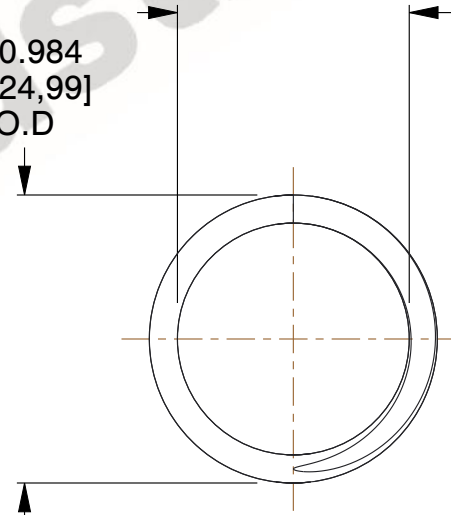
∅ 0.096  
[2,44]  
WIRE DIA



GROUND  
SURFACE

1.910  
[48,51]  
LENGTH

∅ 0.984  
[24,99]  
O.D



∅ 0.792  
[20,12]  
I.D

COMPONENT		SPRINGS	
<b>11942</b>  COMPRESSION SPRINGS		UNIT	INCH [mm]
		SHEET	1 of 1