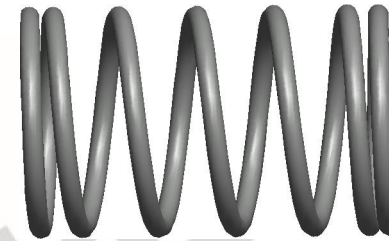
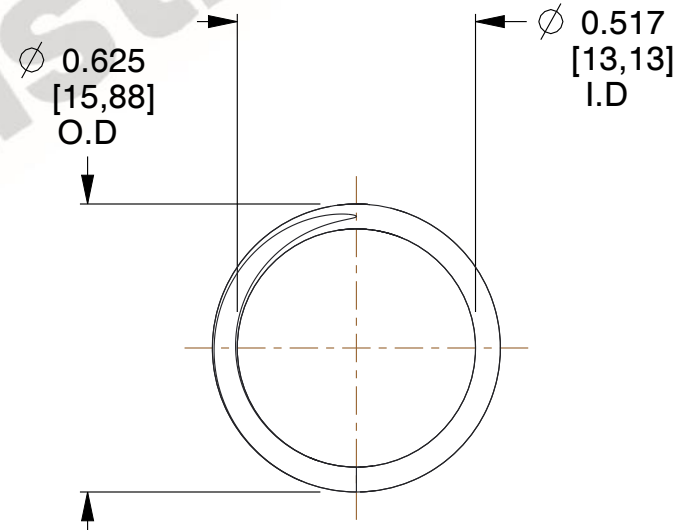
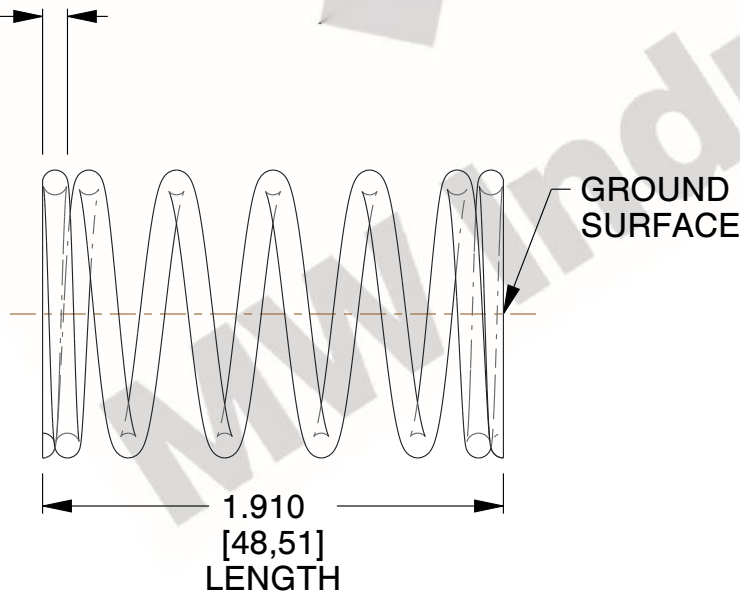


NOTES:

1. Material : Spring Steel
2. Finish : Gold Iridite - GI
3. Ends : Closed and Ground
4. Total Coils : 7.000
5. Sugg. Max. Deflection : 0.620 (in)
6. Sugg. Max. Load : 8.200 (lbs)
7. All Drawing Dimensions are in Inches [mm]



∅ 0.054
[1,37]
WIRE DIA



COMPONENT		SPRINGS	
N-53		UNIT	
		INCH [mm]	
		SHEET	
COMPRESSION SPRINGS		1 of 1	