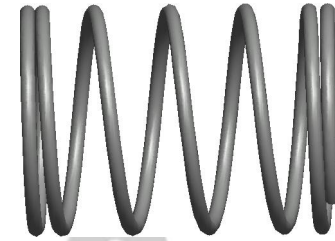
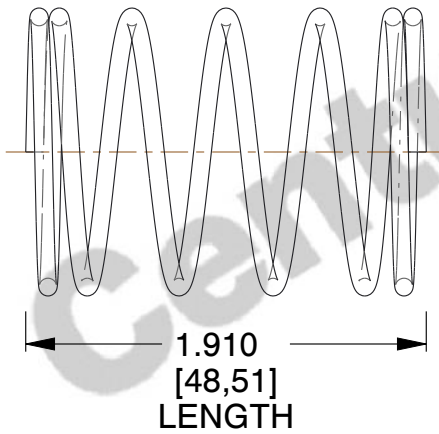


NOTES:

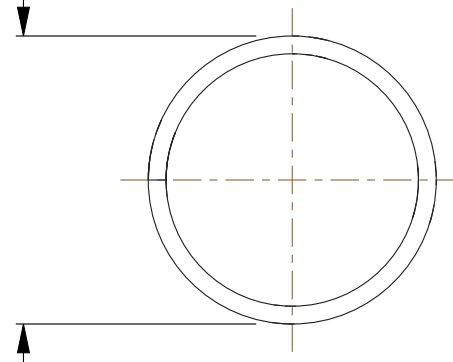
1. Material : Music Wire
2. Finish : Glod Irridite
3. Ends : Closed
4. Total Coils : 6.500
5. Sugg. Max. Deflection : 0.420 (in)
6. Sugg. Max. Load : 1.100 (lbs)
7. All Drawing Dimensions are in Inches [mm]



\varnothing 0.028
 [0,71]
 WIRE DIA



\varnothing 0.453
 [11,51]
 O.D



COMPONENT		SPRINGS	
PP-93		UNIT	
		INCH [mm]	
		SHEET	
COMPRESSION SPRINGS		1 of 1	