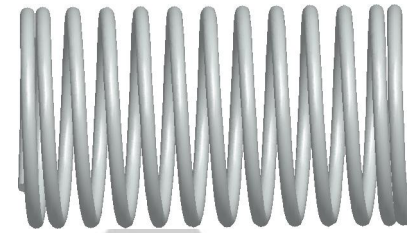
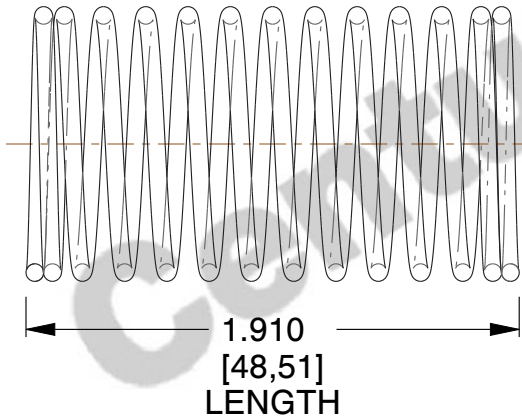


NOTES:

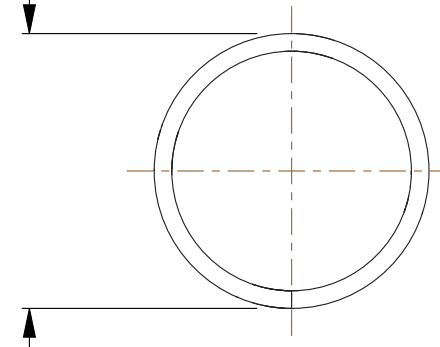
1. Material : Stainless Steel
2. Finish : Glod Irridite
3. Ends : Closed
4. Total Coils : 13.000
5. Sugg. Max. Deflection : 0.280 (in)
6. Sugg. Max. Load : 0.210 (lbs)
7. All Drawing Dimensions are in Inches [mm]



\varnothing 0.020
 [0,51]
 WIRE DIA



\varnothing 0.312
 [7,92]
 O.D



COMPONENT		SPRINGS	
YY-41 COMPRESSION SPRINGS		UNIT	INCH [mm]
		SHEET	1 of 1