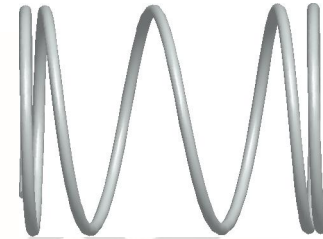
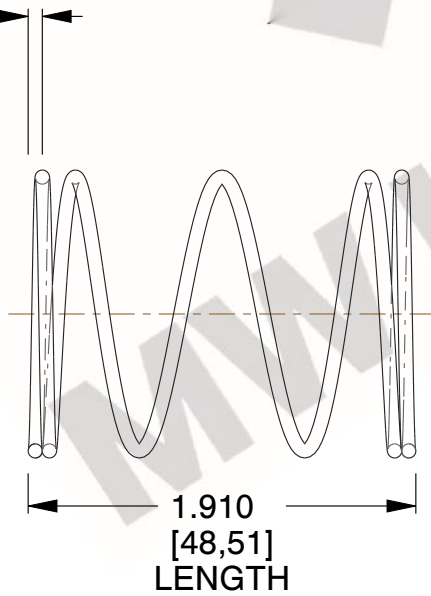


**NOTES:**

1. Material : Stainless Steel
2. Finish : Glod Irridite
3. Ends : Closed
4. Total Coils : 5.000
5. Sugg. Max. Deflection : 0.490 (in)
6. Sugg. Max. Load : 0.640 (lbs)
7. All Drawing Dimensions are in Inches [mm]

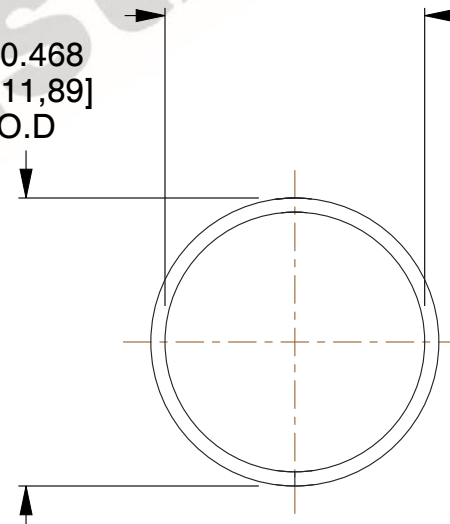


∅ 0.023  
[0,58]  
WIRE DIA



∅ 0.468  
[11,89]  
O.D

∅ 0.422  
[10,72]  
I.D



COMPONENT		SPRINGS	
<b>S-3130</b>		UNIT	
		INCH [mm]	
		SHEET	
COMPRESSION SPRINGS		1 of 1	