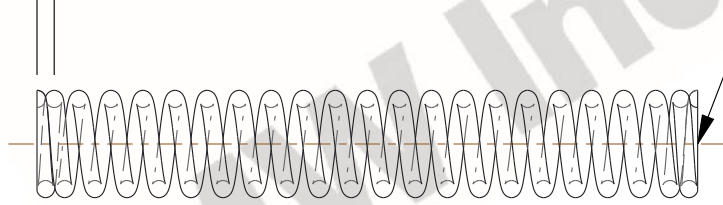


NOTES:

1. Material : Spring Steel
2. Finish : Zinc - Z
3. Ends : Closed and Ground
4. Total Coils : 22.000
5. Sugg. Max. Deflection : 0.790 (in)
6. Sugg. Max. Load : 30.000 (lbs)
7. All Drawing Dimensions are in Inches [mm]

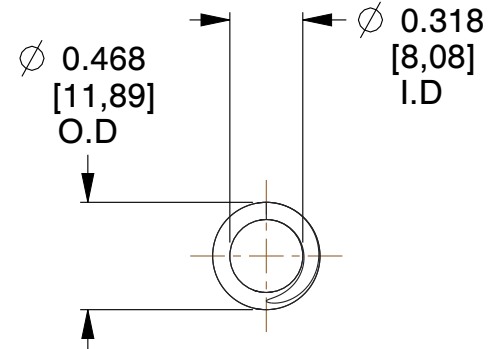


\varnothing 0.075
 [1,91]
 WIRE DIA



1.910
 [48,51]
 LENGTH

GROUND SURFACE



COMPONENT		SPRINGS	
3014		UNIT	
		INCH [mm]	
COMPRESSION SPRINGS		SHEET	
		1 of 1	