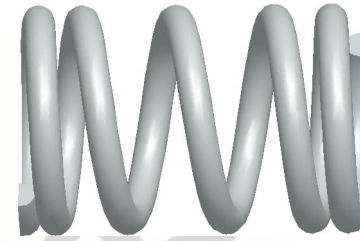
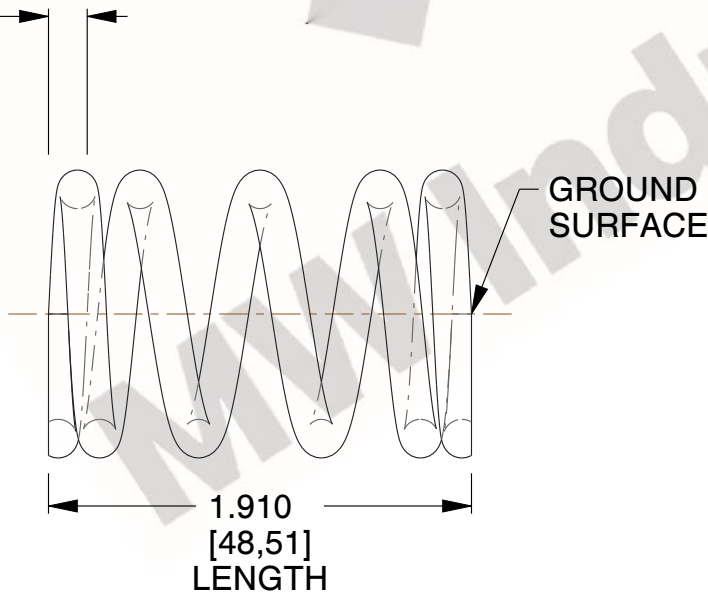


NOTES:

1. Material : Stainless Steel
2. Finish : Glod Irridite
3. Ends : Closed and Ground
4. Total Coils : 5.500
5. Sugg. Max. Deflection : 0.270 (in)
6. Sugg. Max. Load : 31.000 (lbs)
7. All Drawing Dimensions are in Inches [mm]

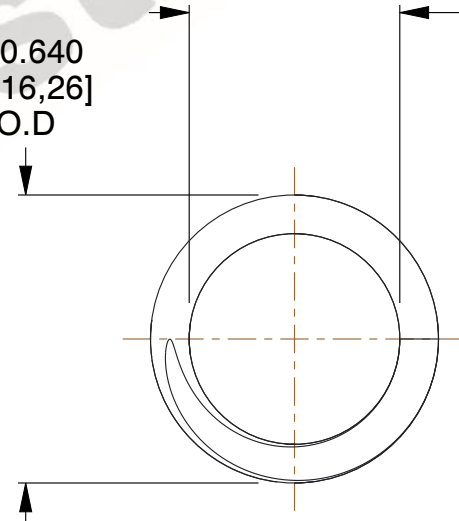


∅ 0.086
[2,18]
WIRE DIA



∅ 0.640
[16,26]
O.D

∅ 0.468
[11,89]
I.D



COMPONENT		SPRINGS	
S-3197		UNIT	
		INCH [mm]	
		SHEET	
COMPRESSION SPRINGS		1 of 1	