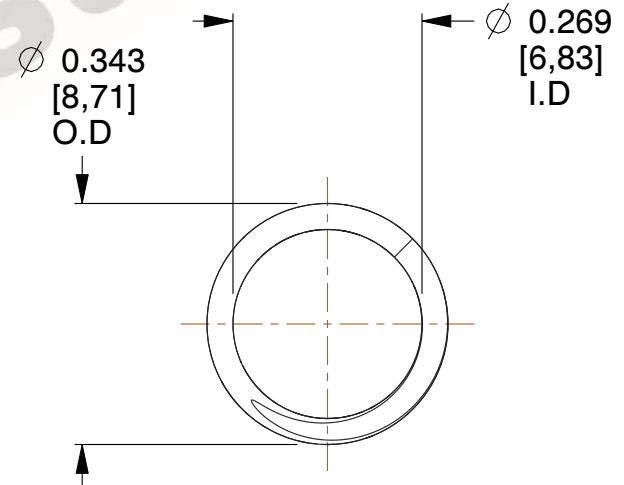
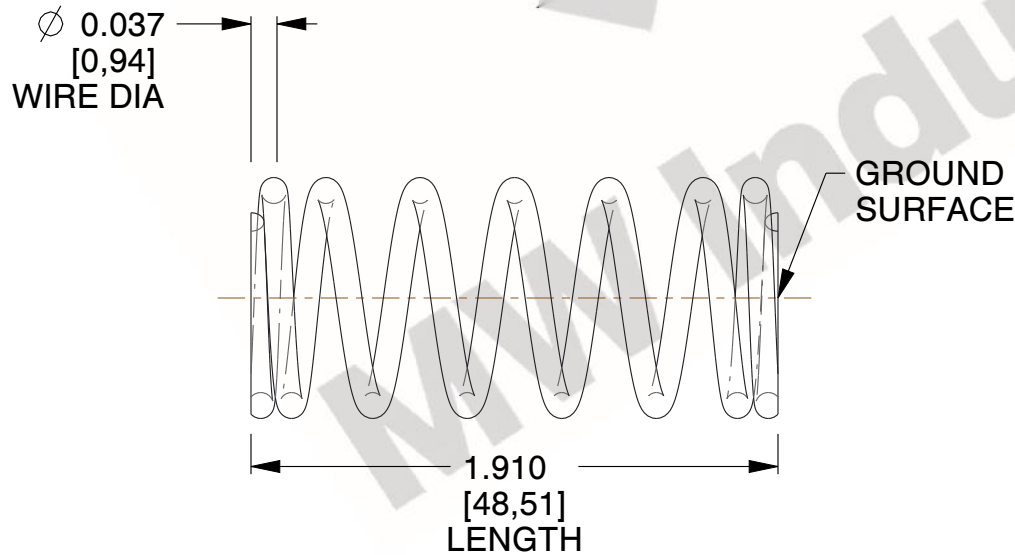
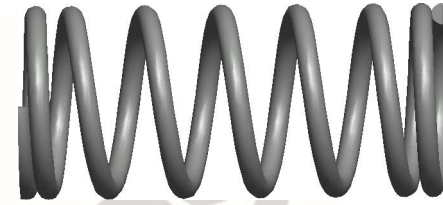


**NOTES:**

1. Material : Spring Steel
2. Finish : Glod Irridite
3. Ends : Closed and Ground
4. Total Coils : 7.750
5. Sugg. Max. Deflection : 0.340 (in)
6. Sugg. Max. Load : 5.700 (lbs)
7. All Drawing Dimensions are in Inches [mm]



COMPONENT		SPRINGS	
<b>A10-47</b>  COMPRESSION SPRINGS		UNIT	INCH [mm]
		SHEET	1 of 1