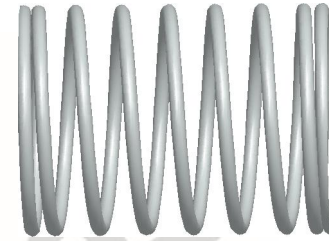
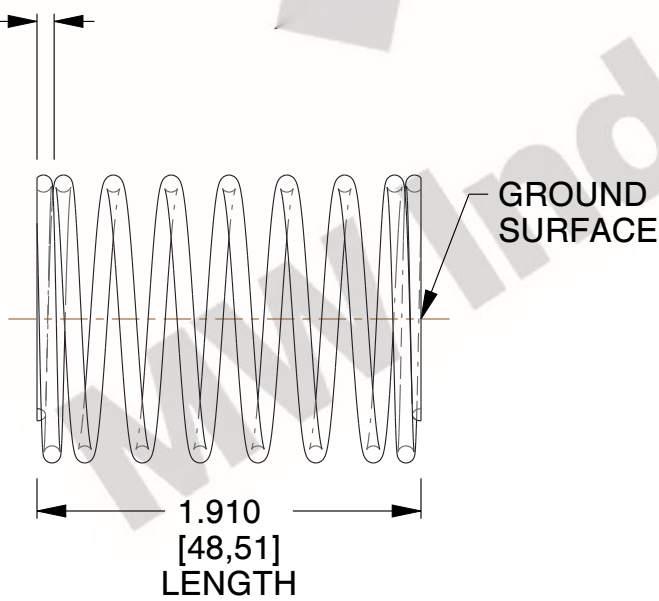


NOTES:

1. Material : Stainless Steel
2. Finish : Glod Irridite
3. Ends : Closed and Ground
4. Total Coils : 8.750
5. Sugg. Max. Deflection : 0.340 (in)
6. Sugg. Max. Load : 0.400 (lbs)
7. All Drawing Dimensions are in Inches [mm]

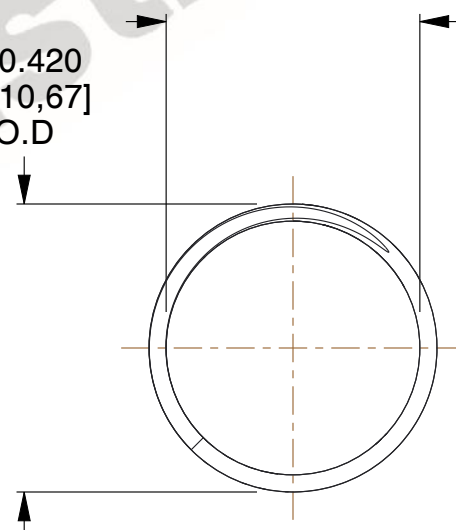


\varnothing 0.025
 [0,64]
 WIRE DIA



\varnothing 0.420
 [10,67]
 O.D

\varnothing 0.370
 [9,40]
 I.D



COMPONENT		SPRINGS	
Z-33 COMPRESSION SPRINGS		UNIT	INCH [mm]
		SHEET	1 of 1