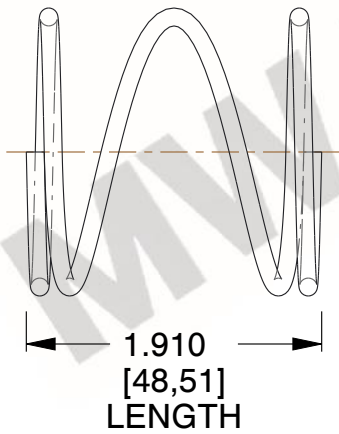


NOTES:

1. Material : Stainless Steel
2. Finish : Glod Irridite
3. Ends : Closed
4. Total Coils : 3.500
5. Sugg. Max. Deflection : 0.330 (in)
6. Sugg. Max. Load : 2.700 (lbs)
7. All Drawing Dimensions are in Inches [mm]

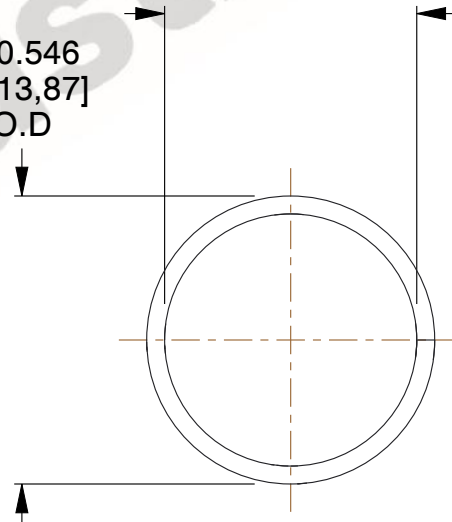


\varnothing 0.034
 [0,86]
 WIRE DIA



\varnothing 0.546
 [13,87]
 O.D

\varnothing 0.478
 [12,14]
 I.D



COMPONENT		SPRINGS	
O-151 COMPRESSION SPRINGS		UNIT	INCH [mm]
		SHEET	1 of 1