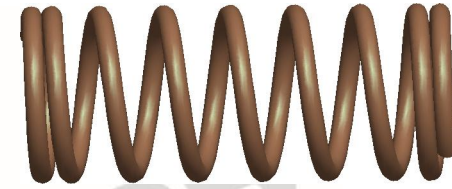
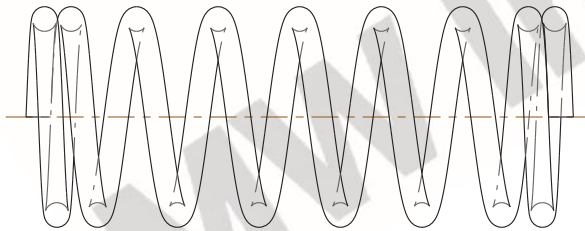


**NOTES:**

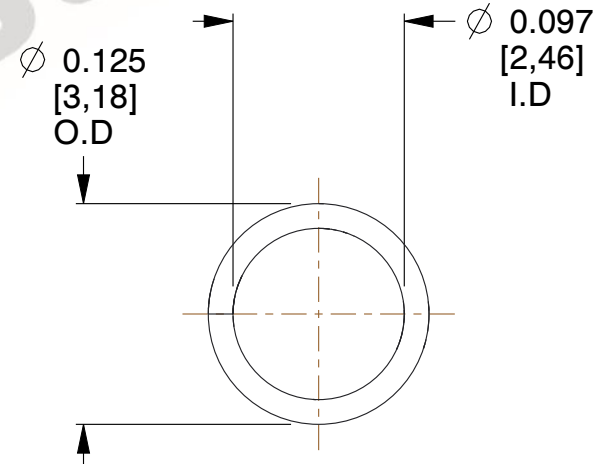
1. Material : Beryllium Copper
2. Finish : None - N
3. Ends : Closed
4. Total Coils : 8.500
5. Sugg. Max. Deflection : 0.140 (in)
6. Sugg. Max. Load : 1.100 (lbs)
7. All Drawing Dimensions are in Inches [mm]



$\varnothing$  0.014  
 [0,36]  
 WIRE DIA



1.910  
 [48,51]  
 LENGTH



$\varnothing$  0.125  
 [3,18]  
 O.D

$\varnothing$  0.097  
 [2,46]  
 I.D

COMPONENT		SPRINGS	
<b>EE-33</b>  COMPRESSION SPRINGS		UNIT	INCH [mm]
		SHEET	1 of 1