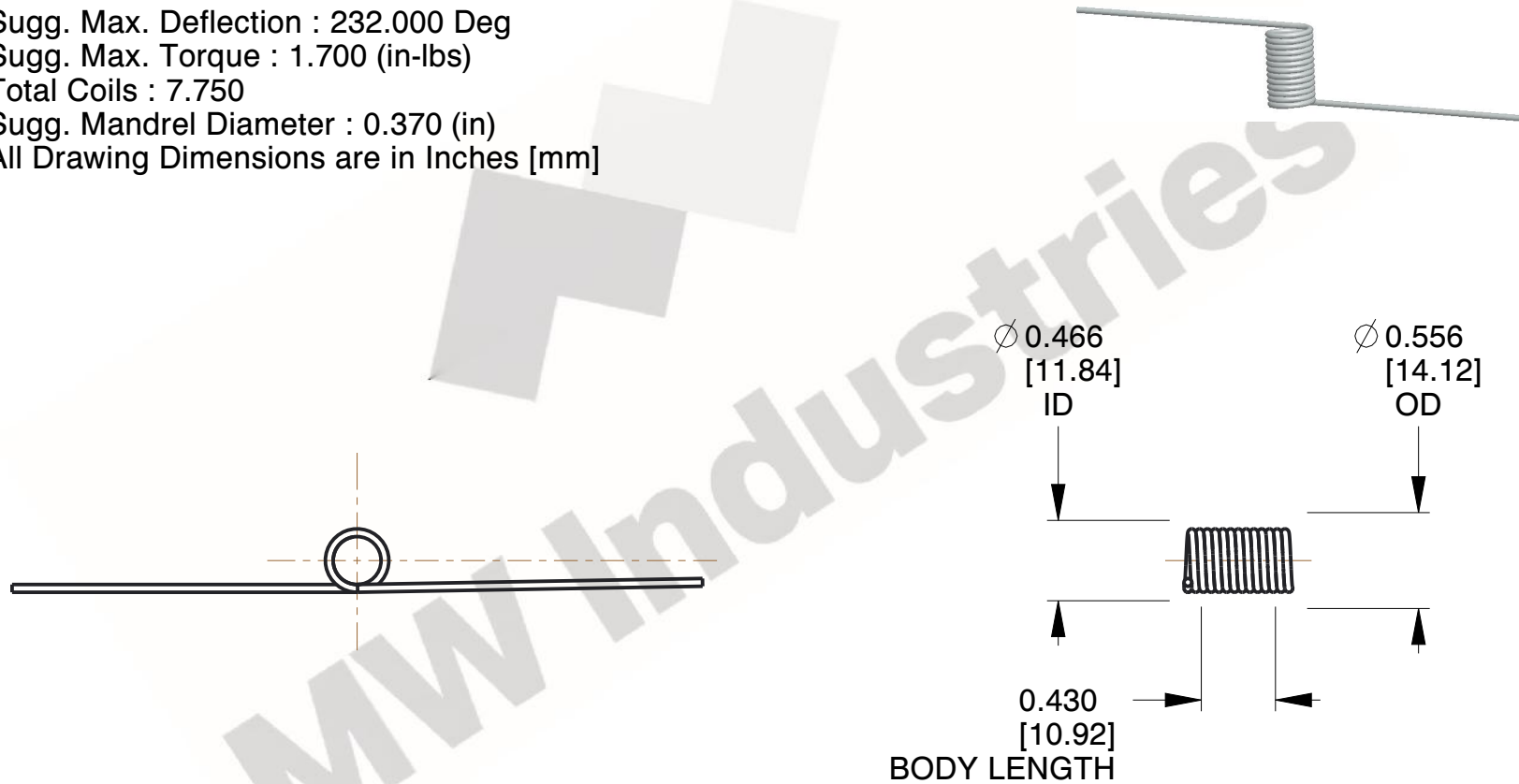


NOTES:

1. Material : Stainless Steel
2. Finish : Zinc - Z
3. Sugg. Max. Deflection : 232.000 Deg
4. Sugg. Max. Torque : 1.700 (in-lbs)
5. Total Coils : 7.750
6. Sugg. Mandrel Diameter : 0.370 (in)
7. All Drawing Dimensions are in Inches [mm]



COMPONENT		TORSION SPRINGS	
TO-5140RS		UNIT	
		INCH [mm]	
		SHEET	
TORSION SPRINGS		1 of 1	